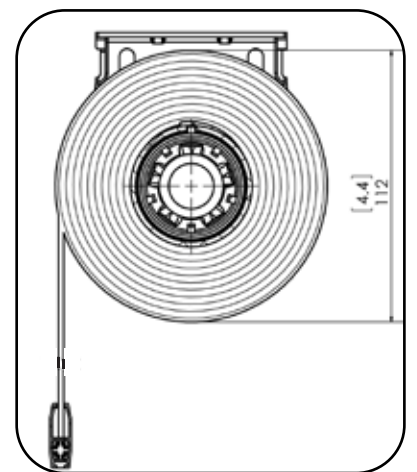
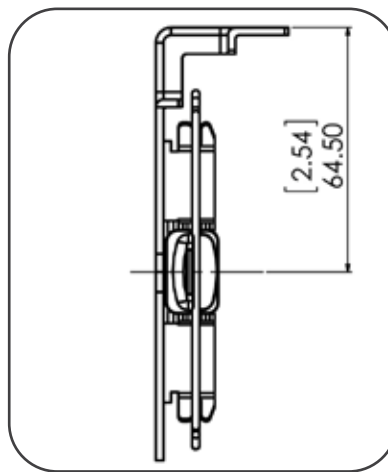




Motor Bracket for Sonesse Ultra 50 DC Motor: Allow More Fabric Wrap



RS-911



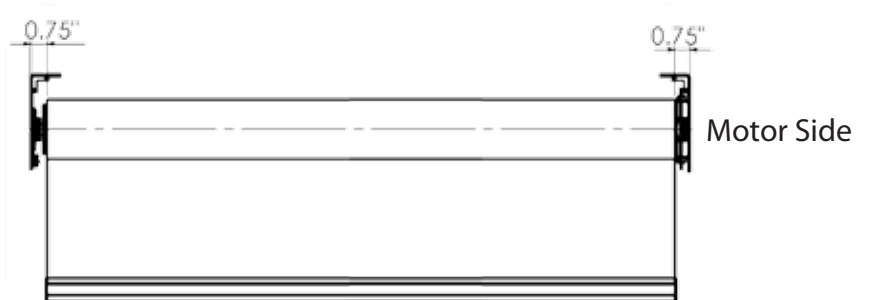
Idle End Bracket for Sonesse Ultra 50 DC Motor: Even Light Gap



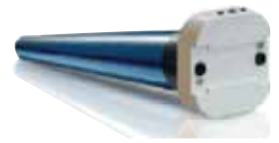
RS-921/931

Idle End Side

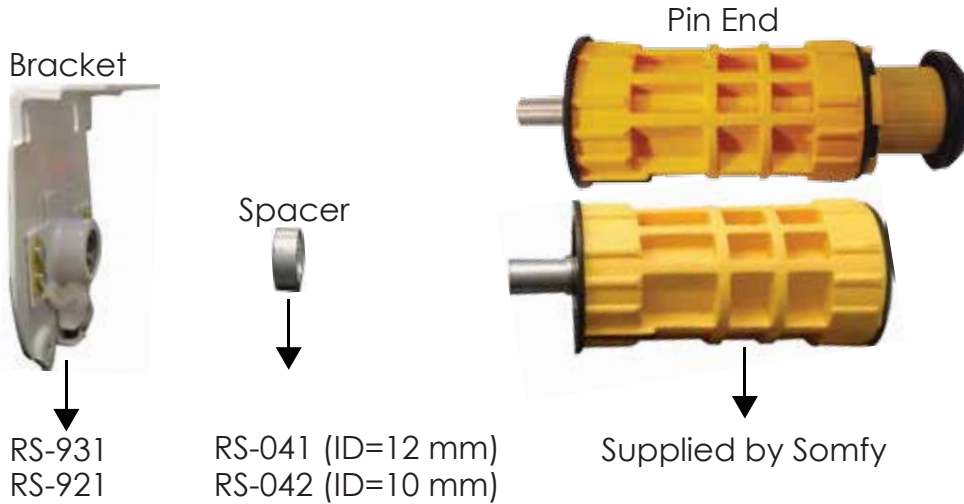
Adjustable



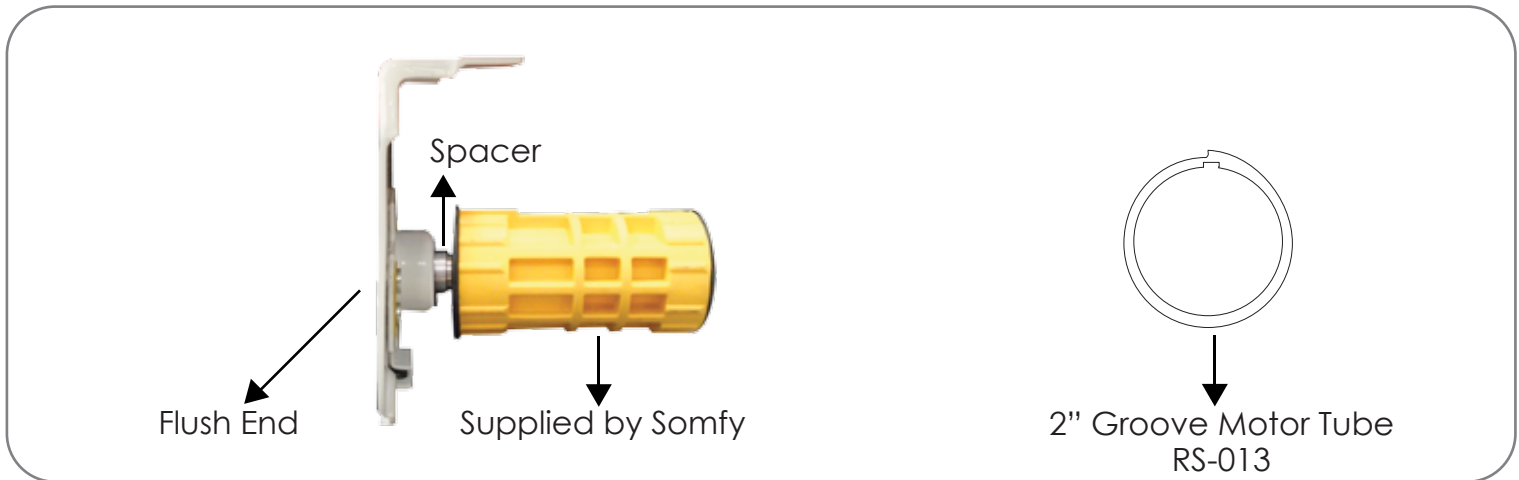
Motor Side



One Spacer Makes Perfect Fit Between Somfy Ultra Quiet Pin End & ZMC Bracket



ULTRA QUIET Sonesse Ultra 50 DC Motor



Motor Bracket Installation Steps:

1

Screw motor plate with 50 DC motor

2

Insert motor head into motor bracket

3

Spring ring locked motor head

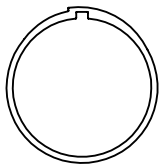
2³/₈" Crown for Sonesse Ultra 50 DC Motor



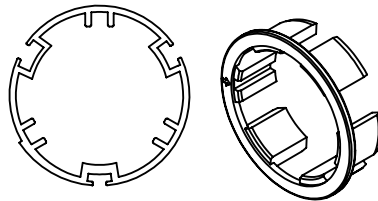
1. No contact between crown end surface and motor, no noise & friction.
2. Short length, no touch on metal body.
3. Crown key way marked for easy alignment.
4. Compatible with Sonesse Ultra 50 DC & AC motor.

Tube & Crown

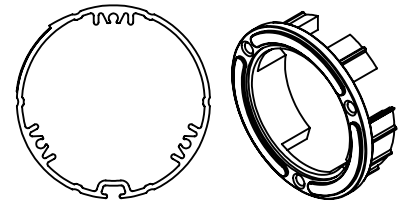
2" Groove Tube



2³/₈" Tube



2¹/₂" Tube



available in
January 2016

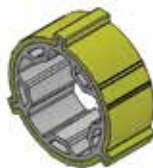
Ultra Quiet Drive

2" Groove Tube Ultra Drive



available in
January 2016

2³/₈" Tube Ultra Drive



available in
January 2016

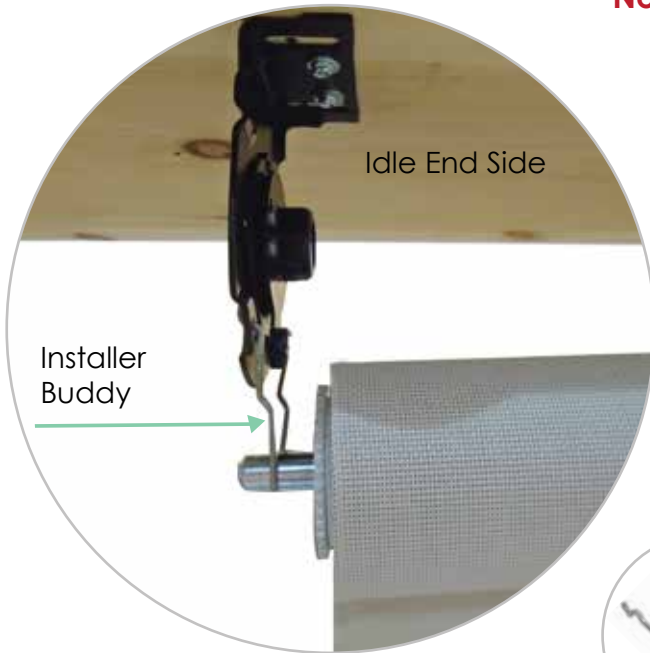
2¹/₂" Tube Ultra Drive



available in
January 2016

Installer Buddy

**Need extra personnel to install a wide and heavy shade?
Not anymore with the aide of our new "Installer Buddy"**



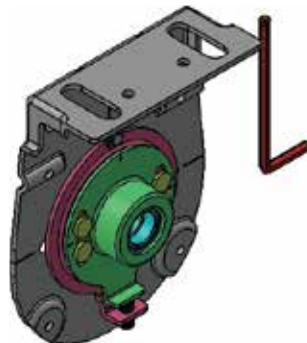
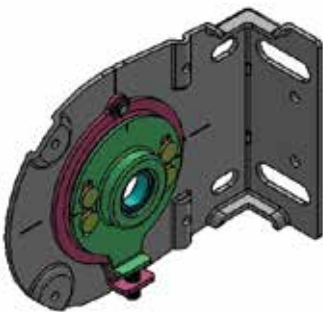
Installer Buddy for ST Ultra 50 DC Motor

- Installer buddy makes the installation process an ease.
- Only one man needed for installation.
- Free yourself to conveniently concentrate on the installation on each side of the blind.
- Reduce your costs by avoiding the need of extra personnel.

Adjustable Indexable Intermediate / Idle End Brackets

Wall Mount

Ceiling Mount



1. Indexable for Universal Wall Mount & Ceiling Mount.
2. Leveling adjustment $\pm 3\text{mm}$.
3. 10 mm & 12 mm available.
4. Patent Number : US 8967568



For more information please contact us at:
Tel: 1.905.856.3838 or 1.800.541.2557



Website: www.zmc.ca
E-mail: contact@zmc.ca

