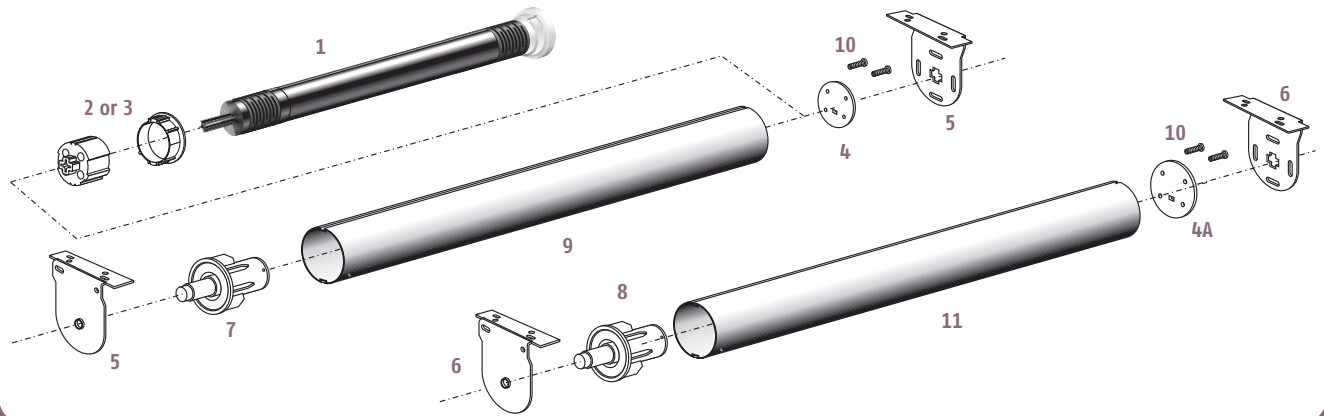


Standard Bracket Components



Dimensions and Light Gap Specifications

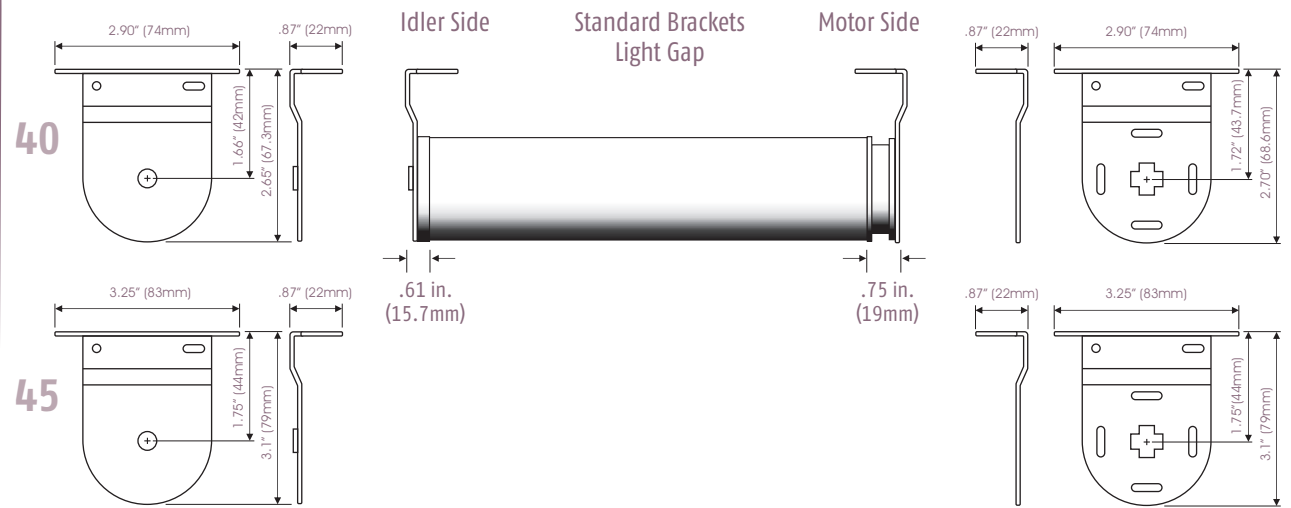
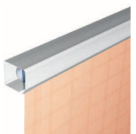


IMAGE	DESCRIPTION	CATALOG NUMBER
1	SONESSE™ 30 MOTOR	SEE PAGES 2 & 3
2	CROWN AND DRIVE (LOUVOLITE 40MM TUBE) WITH SCREWS	9013775
2, 4 & 10	CROWN AND DRIVE, MOTOR BRACKET ADAPTER PLATE WITH SCREWS (LOUVOLITE SYSTEM 40)	9014045
3, 4A, & 10	CROWN AND DRIVE, MOTOR BRACKET ADAPTER PLATE WITH SCREWS (LOUVOLITE SYSTEM 45)	9014333
4	MOTOR BRACKET ADAPTER PLATE WITH SCREWS (LOUVOLITE SYSTEM 40)	9014072
4a	MOTOR BRACKET ADAPTER PLATE WITH SCREWS (LOUVOLITE SYSTEM 45)	9016013
5	MOTOR & IDLER BRACKET KIT (LOUVOLITE SYSTEM 40)	9013715
6	*MOTOR & IDLER BRACKET KIT (LOUVOLITE SYSTEM 45)	9015554
7	COLLAPSIBLE END PLUG (LOUVOLITE SYSTEM 40)	9013716
8	COLLAPSIBLE END PLUG (LOUVOLITE SYSTEM 45)	9015555
9	LOUVOLITE 40MM TUBE	CONTACT LOUVOLITE
10	SCREWS M3.5X9MM	9014066
11	LOUVOLITE 45MM TUBE	CONTACT LOUVOLITE

* KIT TO BE USED WITH MOTOR BRACKET ADAPTER PLATE (LOUVOLITE SYSTEM 40), CATALOG #9014072

Solar/Roller Shades



Roman/Woven Shades

