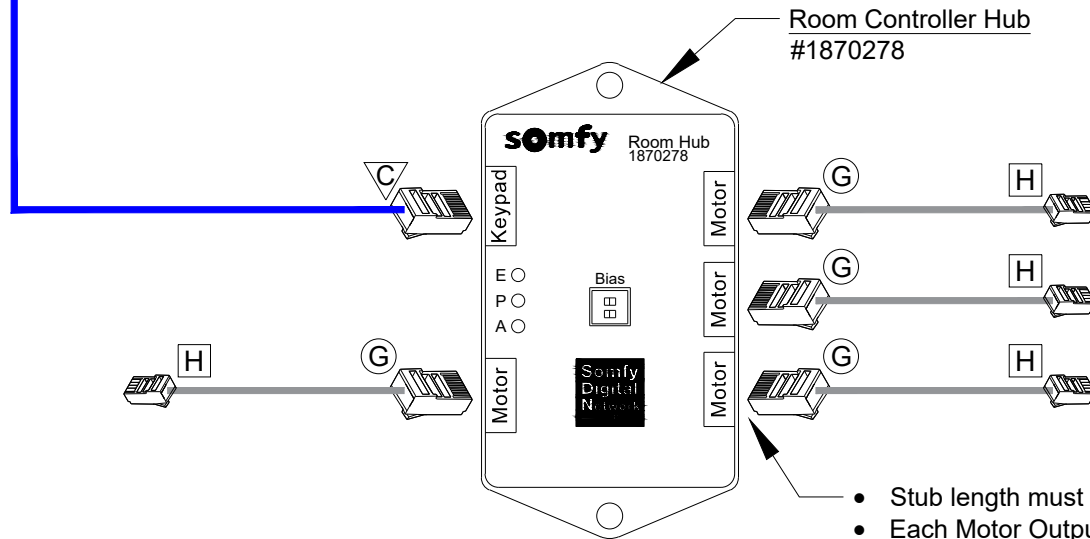
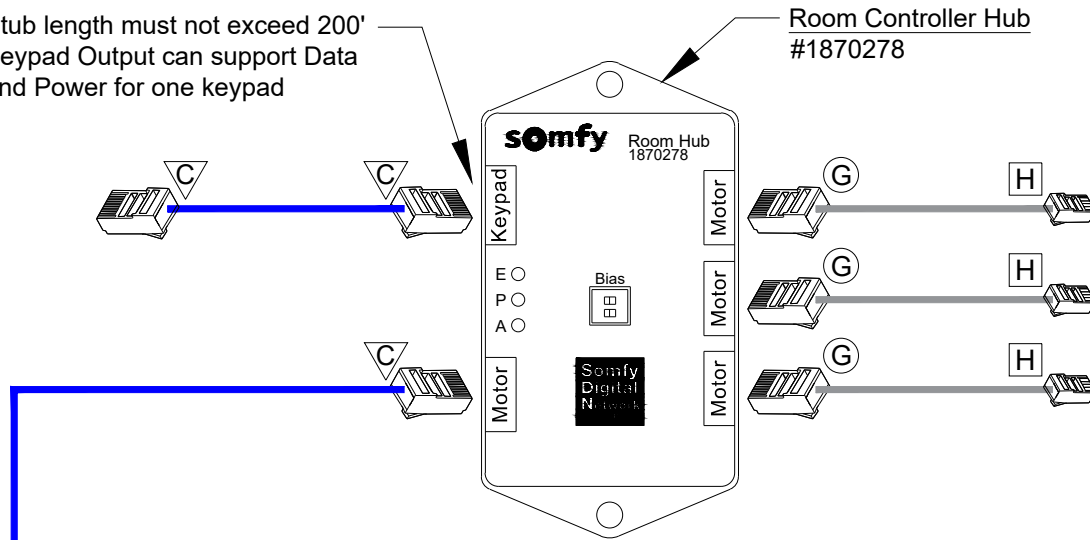


- Stub length must not exceed 200'
- Keypad Output can support Data and Power for one keypad

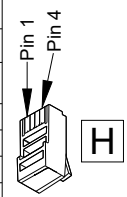
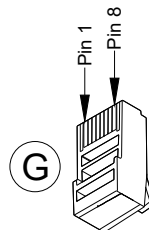


- Stub length must not exceed 200'
- Each Motor Output can support Data for one Motor
- Each Motor Output to be used with 500 Series RS485 AC Motors

Grey Data Cable With Power
 2.5 ft. long: #9018545
 8 ft. long: #9018546
 12 ft. long: #9018547
 24 ft. long: #9018548

(Extend cable beyond 24 ft. with a Generic RJ-45 Coupler and CAT-5 or higher using Standard SDN Wiring Pinout.)

Grey Data Cable With Power Pinout			
AC Motor To: RTS, Z-Wave, ZigBee, Room Controller Hub, 1-to-1 Keypad			
Pin #	Color	Function	Pin #
1	Yellow	SDN RS485 (+)	1
2	Green	SDN RS485 (-)	2
4	Red	Power Out	3
8	Black	Ground	4



SDN Bus Wiring Pinout		
CAT-5e or higher TIA-568B standard with RJ-45		
Pin #	Color	Function
1	Orange White	SDN RS485 (+)
2	Orange	SDN RS485 (-)
3	Green White	Reserved
4	Blue	Power 24v DC
5	Blue White	Power 24v DC
6	Green	Reserved
7	Brown White	SDN RS485 Ground
8	Brown	SDN RS485 Ground

