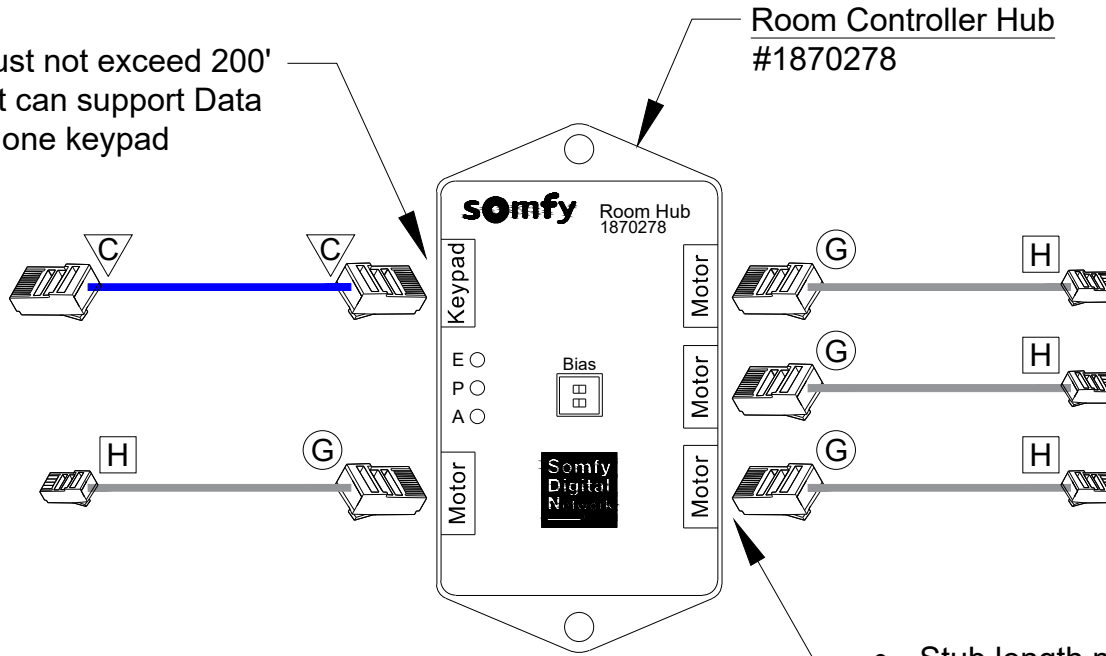


- Stub length must not exceed 200'
- Keypad Output can support Data and Power for one keypad



Room Controller Hub
#1870278

Grey Data Cable With Power

- 2.5 ft. long: #9018545
- 8 ft. long: #9018546
- 12 ft. long: #9018547
- 24 ft. long: #9018548

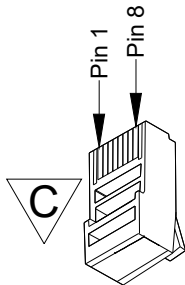
(Extend cable beyond 24 ft. with a Generic RJ-45 Coupler and CAT-5 or higher using Standard SDN Wiring Pinout.)

- Stub length must not exceed 200'
- Each Motor Output can support Data for one Motor
- Each Motor Output to be used with 500 Series RS485 AC Motors

SDN Bus Wiring Pinout

CAT-5e or higher TIA-568B standard with RJ-45

Pin #	Color	Function
1	Orange White	SDN RS485 (+)
2	Orange	SDN RS485 (-)
3	Green White	Reserved
4	Blue	Power 24v DC
5	Blue White	Power 24v DC
6	Green	Reserved
7	Brown White	SDN RS485 Ground
8	Brown	SDN RS485 Ground



Grey Data Cable With Power Pinout

4 Cond. 26AWG modular cable with RJ-45 and RJ-9

Pin #	Color	Function	Pin #
1	Yellow	SDN RS485 (+)	1
2	Green	SDN RS485 (-)	2
4	Red	Power Out	3
8	Black	Ground	4

